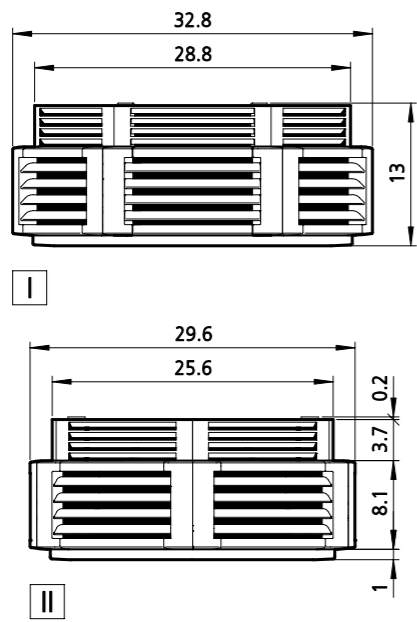
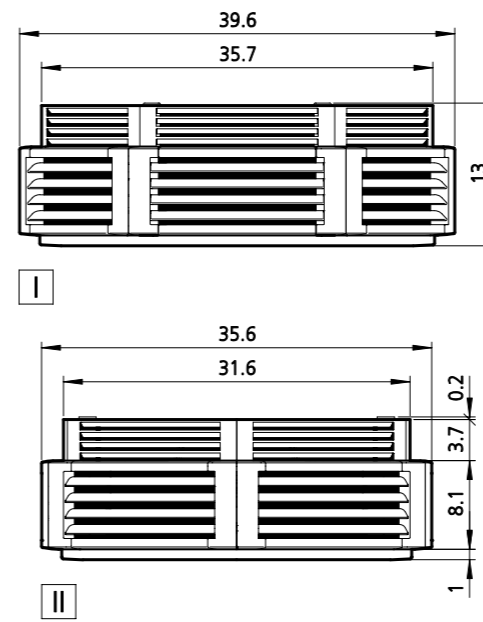
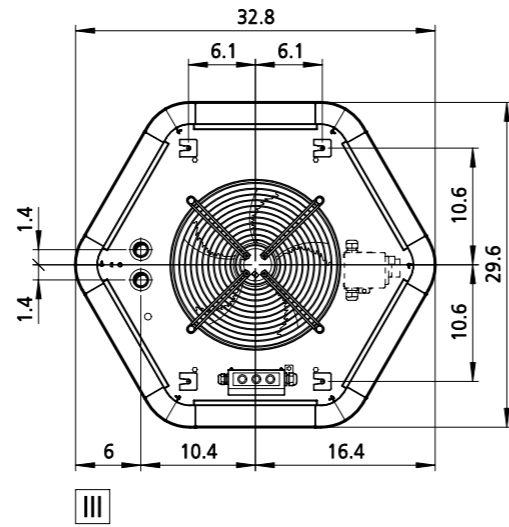


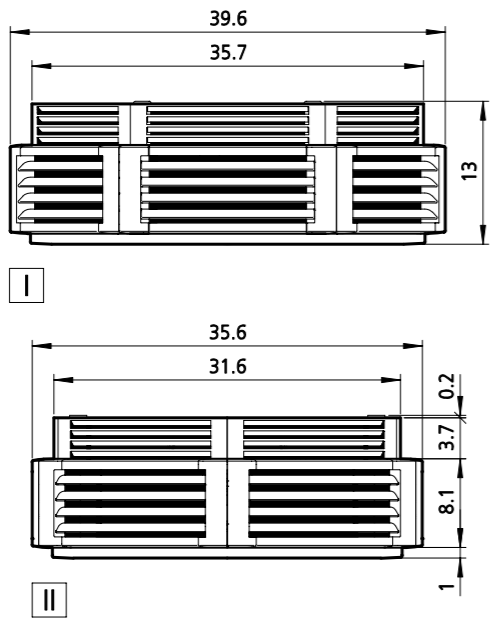
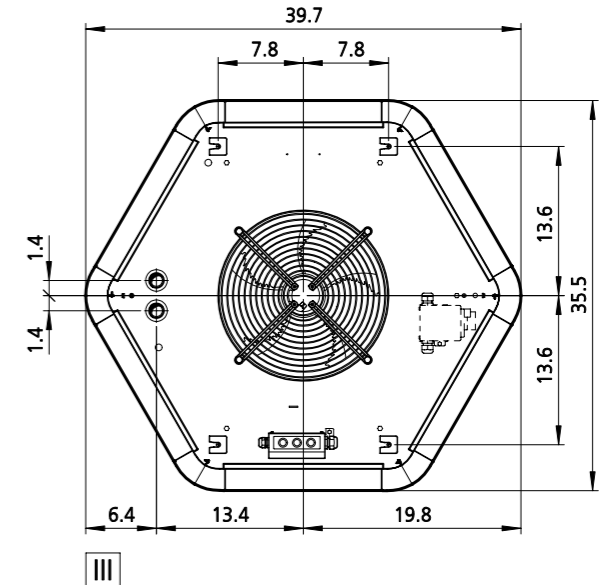
Technical drawings, Ultra heating



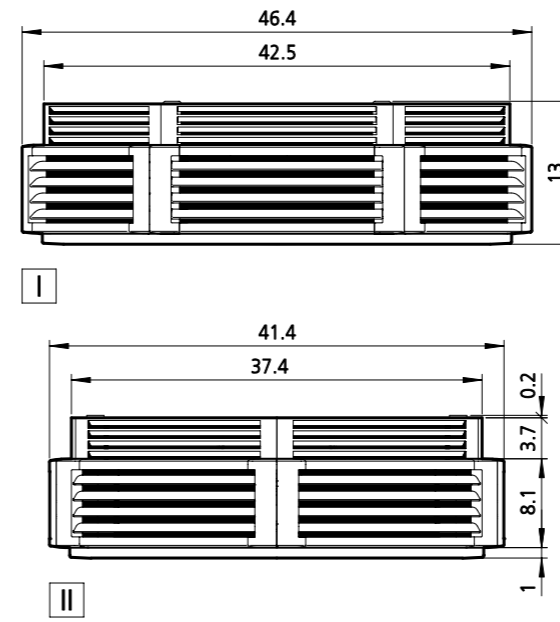
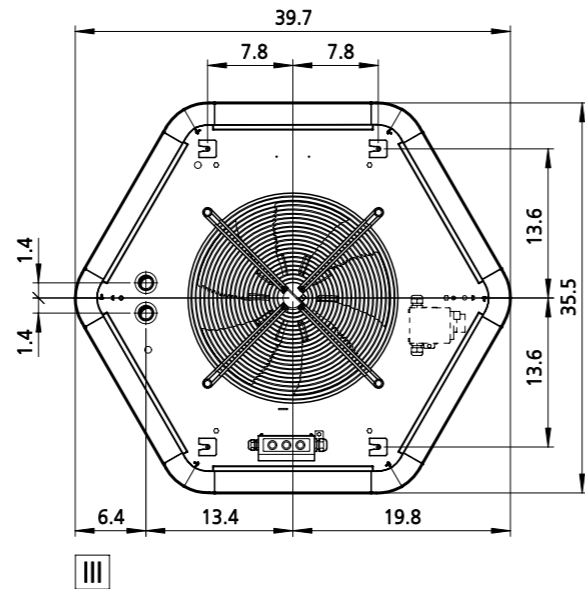
Model 73



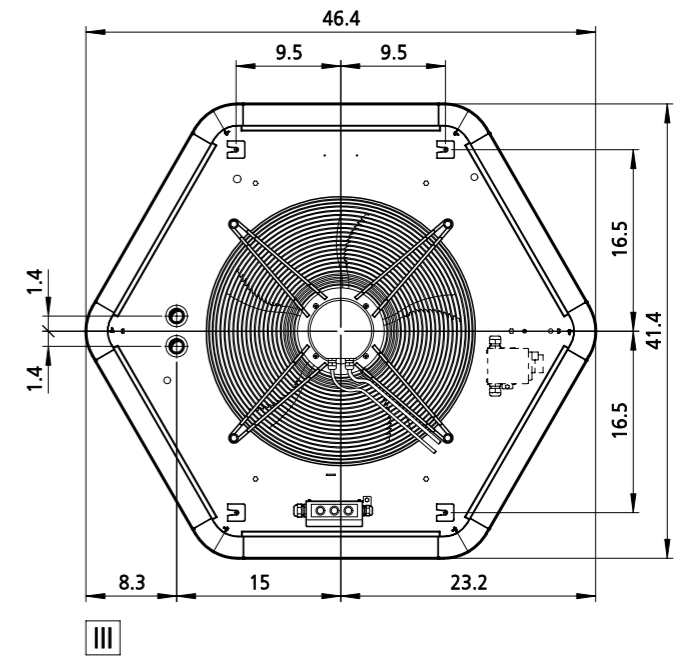
Model 84



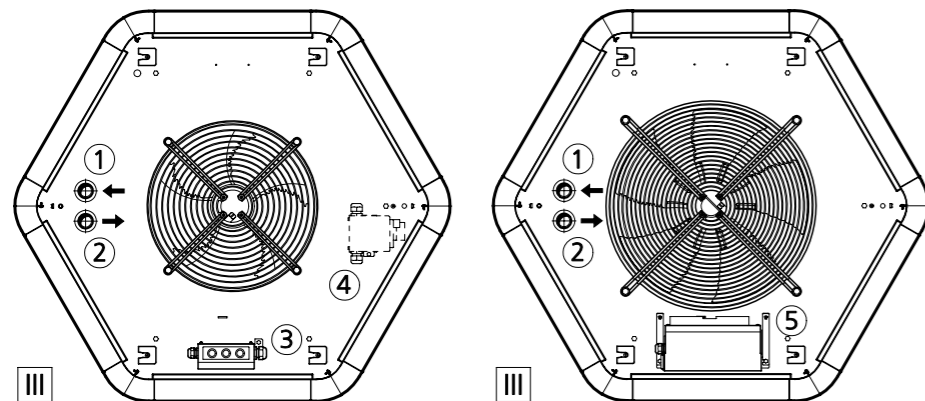
Model 85



Model 96



Example electrical connection



Ceiling-mounted

- I Front view
- II Side view
- III Top view

- ① Water inlet 1"
- ② Water outlet 1"
- ③ Electrical connection electro-mechanical
- ④ Repair switch (optional)
- ⑤ Electrical connection with Ka Control (optional)

Dimensions [Inch]

				Datum	Name	Format	Art-Gr.	Version	CAD-Nr.	
				Erst.	23.04.20	sw	3	154	1	831406
				Änder.	26.05.20	sw				
 49794 Lingen (Ems) Tel. (0591) 7108-0 · Fax 7108-300 eMail: info@kampmann.de Internet: www.kampmann.de						Katalogzeichnung / CADs				
						Ansichten				
						Ultra				
						Abmessungen				
						EN, Inch				
						Ultra Heizen				
Index	Änderung	Datum	Name	Zul.Abw.	ISO 2768-m	Bereich	Dokumentation	Maßstab	1:17,5 Blatt	