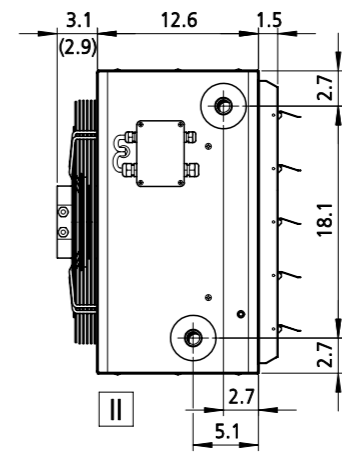
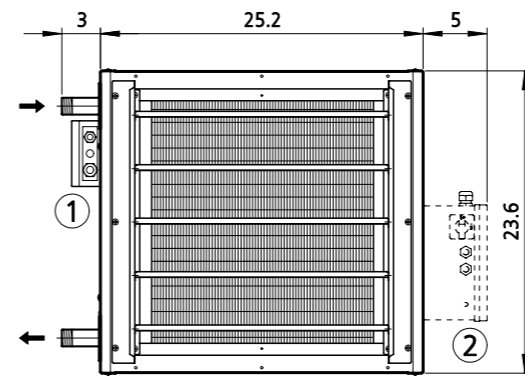
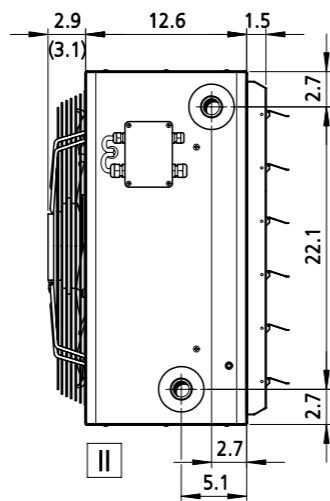
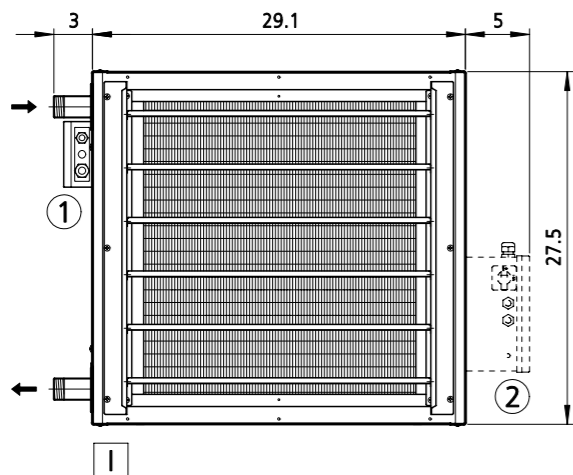
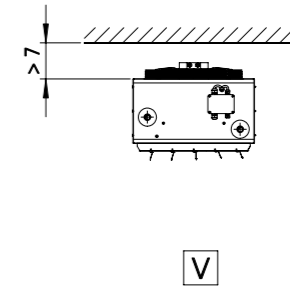
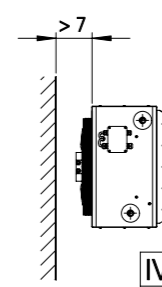
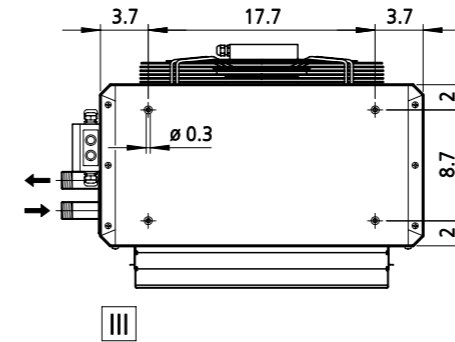
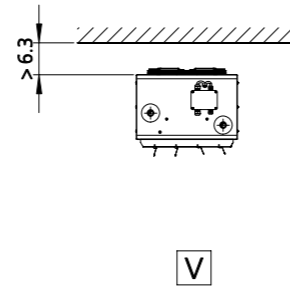
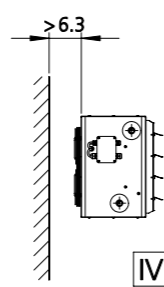
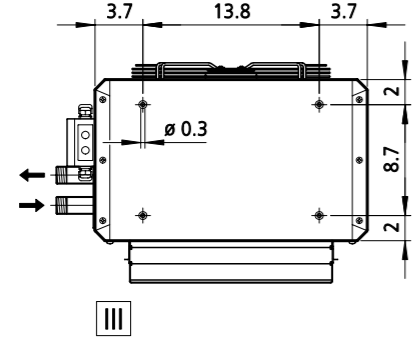


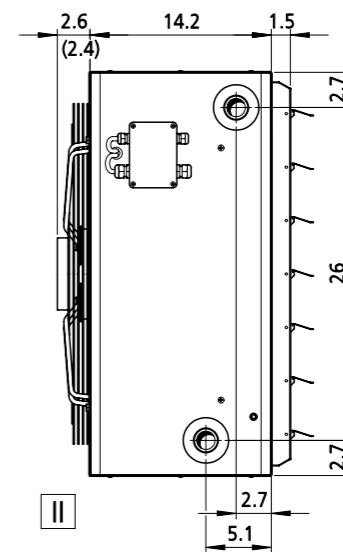
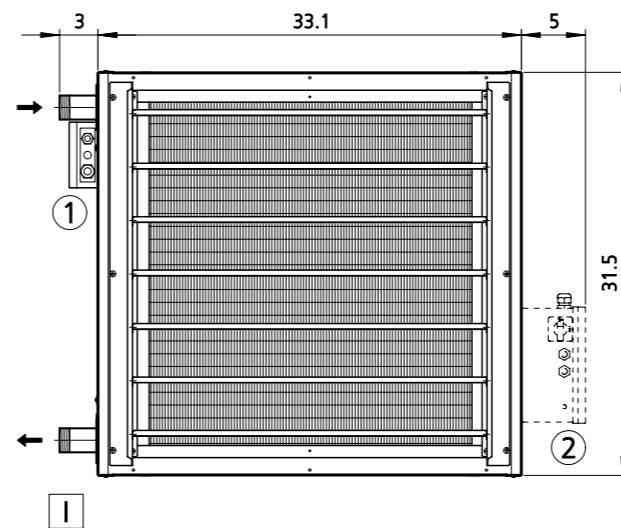
Model 4
Motor code 58, 57 and 56
Connection 1"



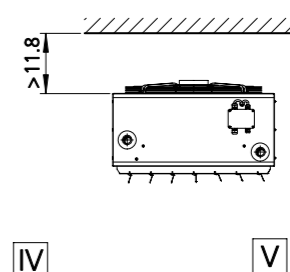
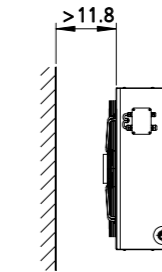
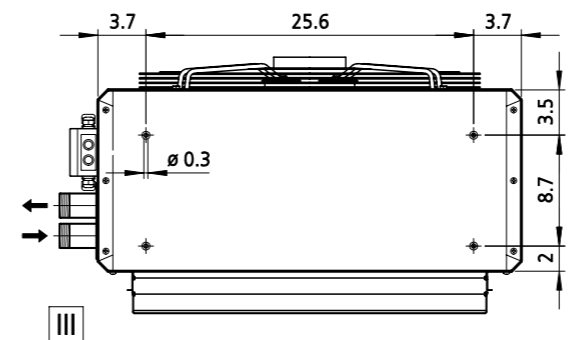
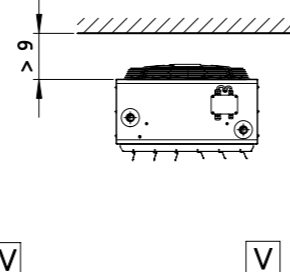
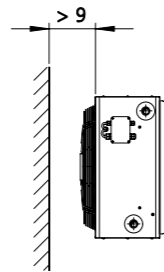
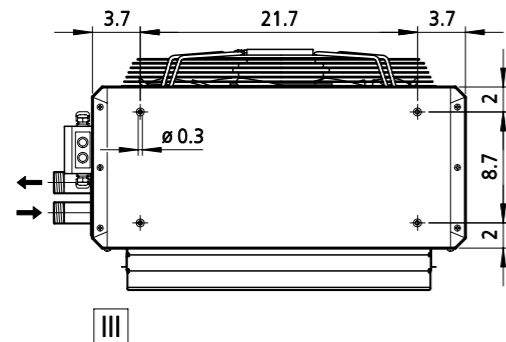
Model 5
Motor code 58, 57 and (56)
Connection 1"



Model 6
Motor code 58 and (57)
Connection 1 1/4"



Model 7
Motor code 56 and (58)
Connection 1 1/2"



Dimensions [Inch]

Technical drawings, Copper/Aluminium Heat Exchanger, dimensions [Inch]


Wall-mounted

- I Front view
- II Side view
- III Top view
- IV Wall-mounted

Ceiling-mounted

- I Bottom view
- II Side view
- III Front view
- V Ceiling-mounted

- ① Electrical connection with EC model, electro-mechanical
- ② Electrical connection with EC model with Ka Control (optional)

				Datum	Name	Format	Art-Gr.	Version	CAD-Nr.	
				Erst.	18.05.22	sw	3	157	2	829246
				Änder.						
 49794 Lingen (Ems) Tel. (0591) 7108-0 · Fax 7108-300 eMail: info@kampmann.de Internet: www.kampmann.de						CAD-Zeichnung				
						Ansichten				
Angeb.-Nr.						TIP				
						Abmessungen BG 4 - 7				
2 ...						WT CuAlu				
						EN, in Inch				
Index	Änderung	Datum	Name	Zul.Abw.	ISO 2768-m	Bereich	Dokumentation	Maßstab	1:15	Blatt